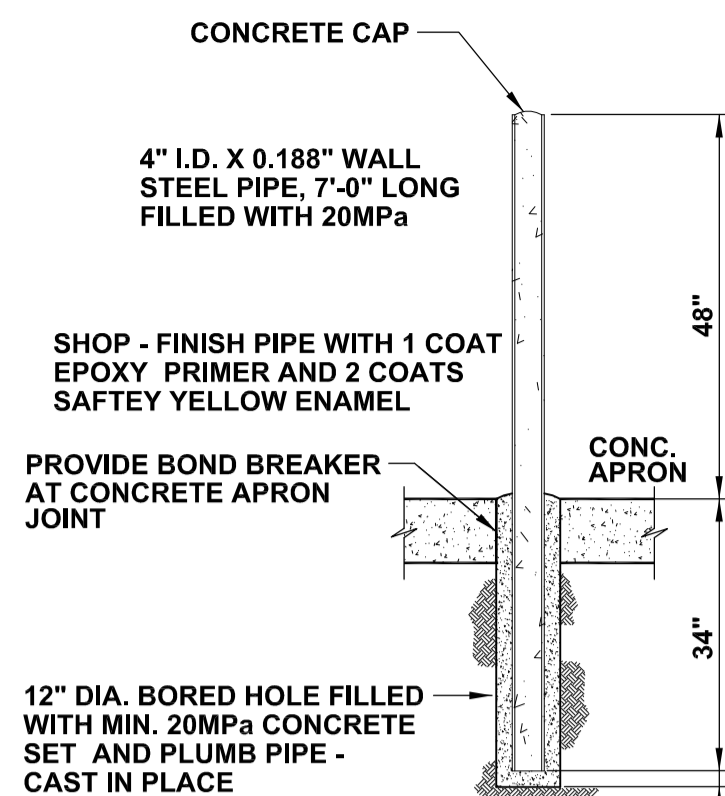
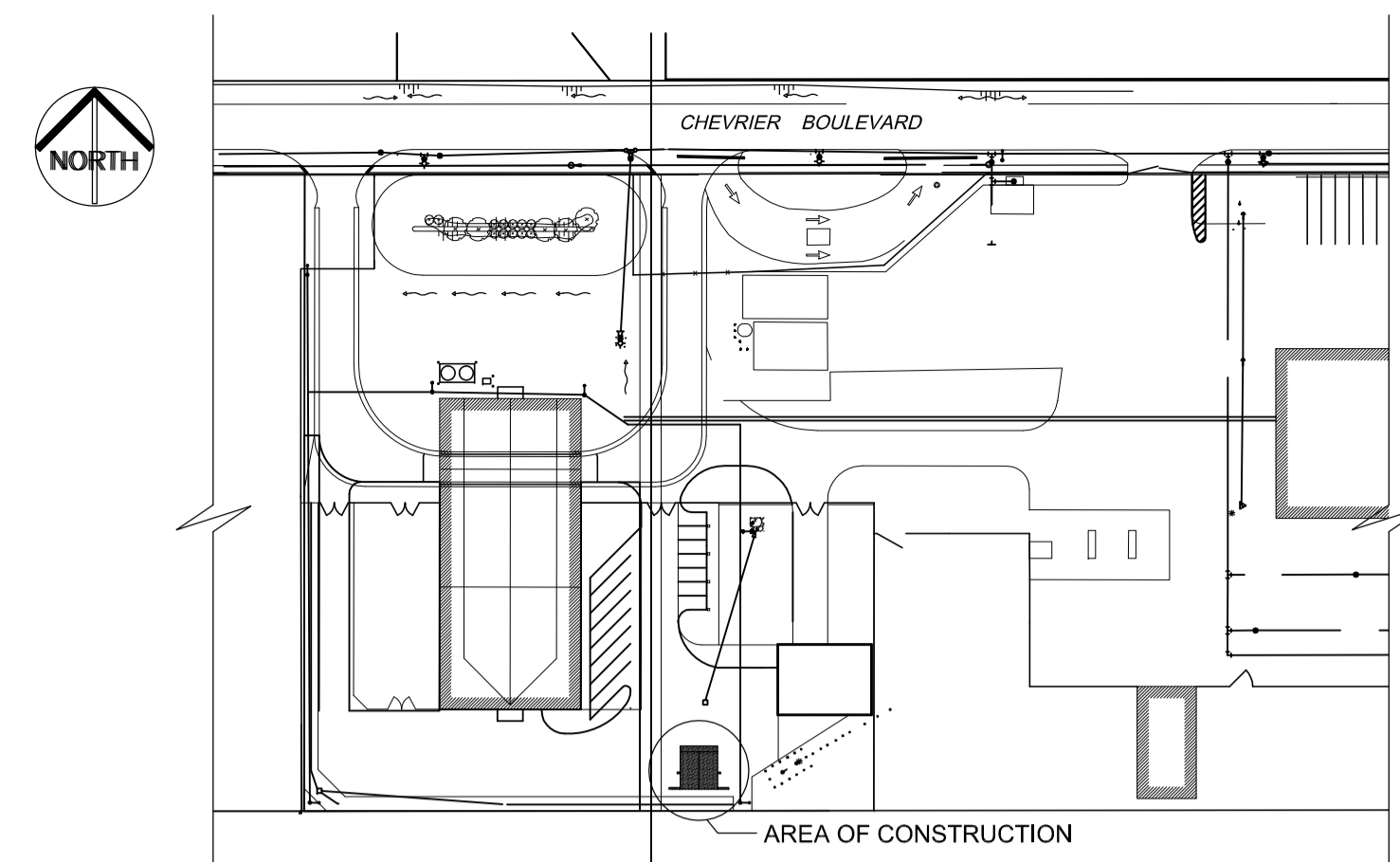


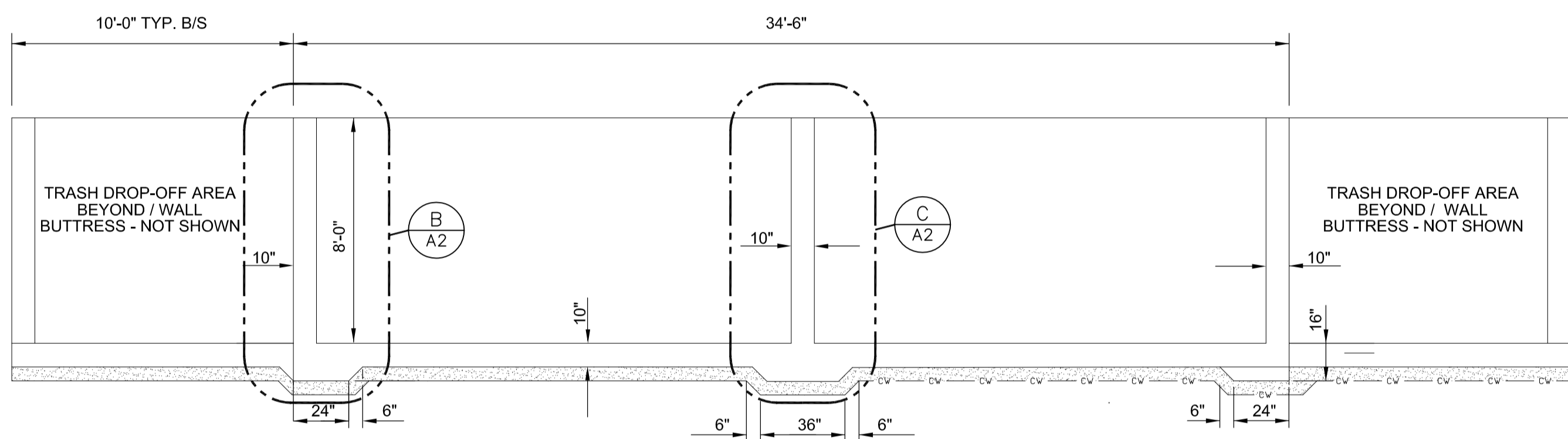
GENERAL SECTION
SCALE: 1/4"=1'-0"



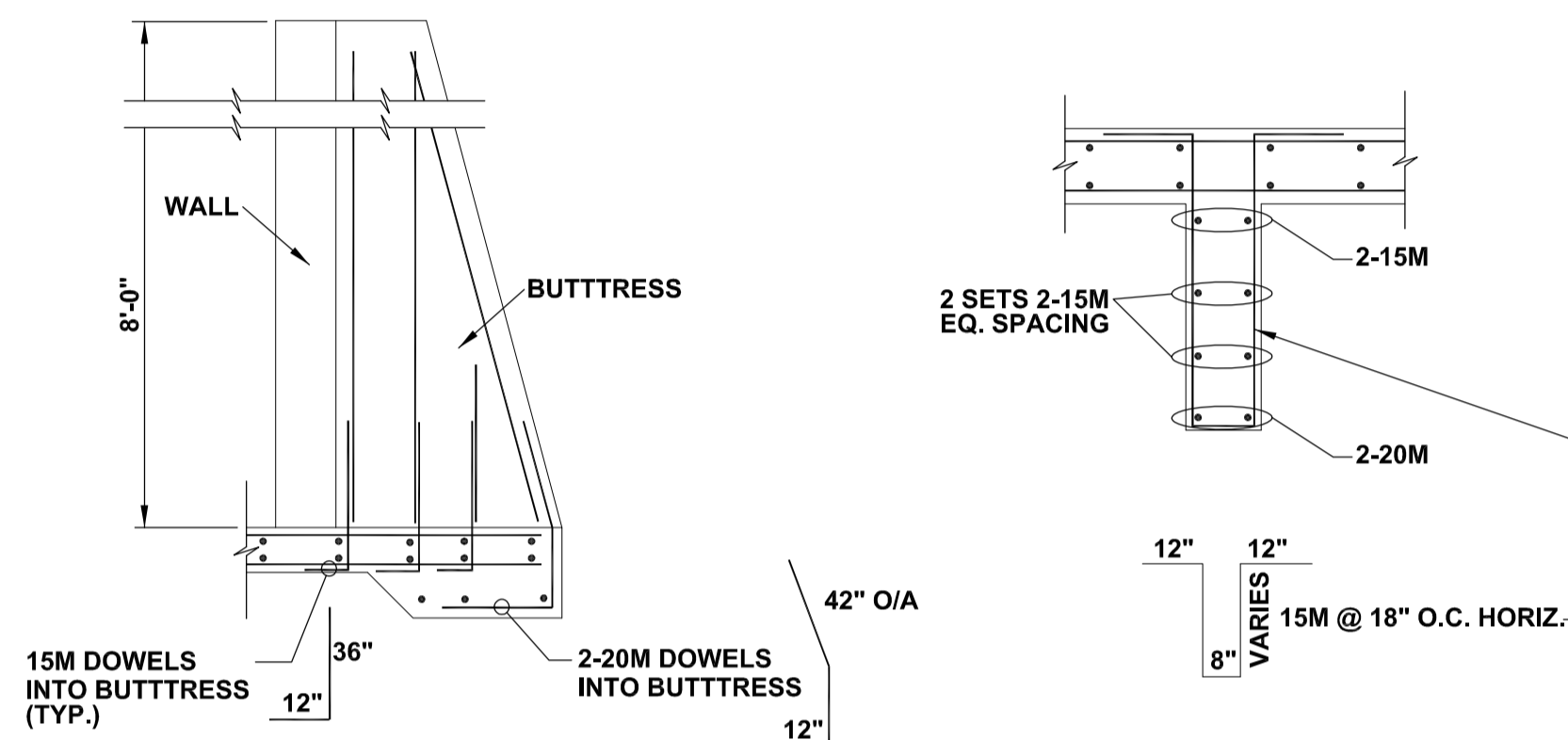
**DETAIL 1
CONCRETE FILLED
STEEL BOLLARD**
SCALE: 1/2"=1'-0"



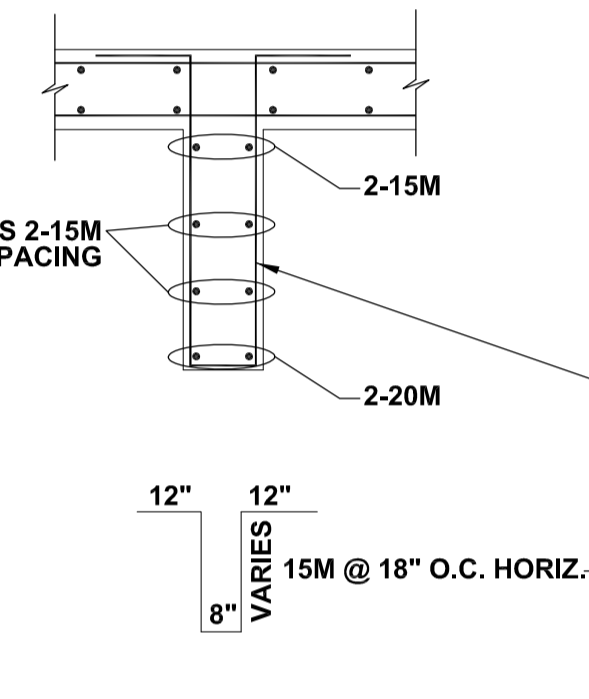
KEY PLAN
SCALE: N.T.S.



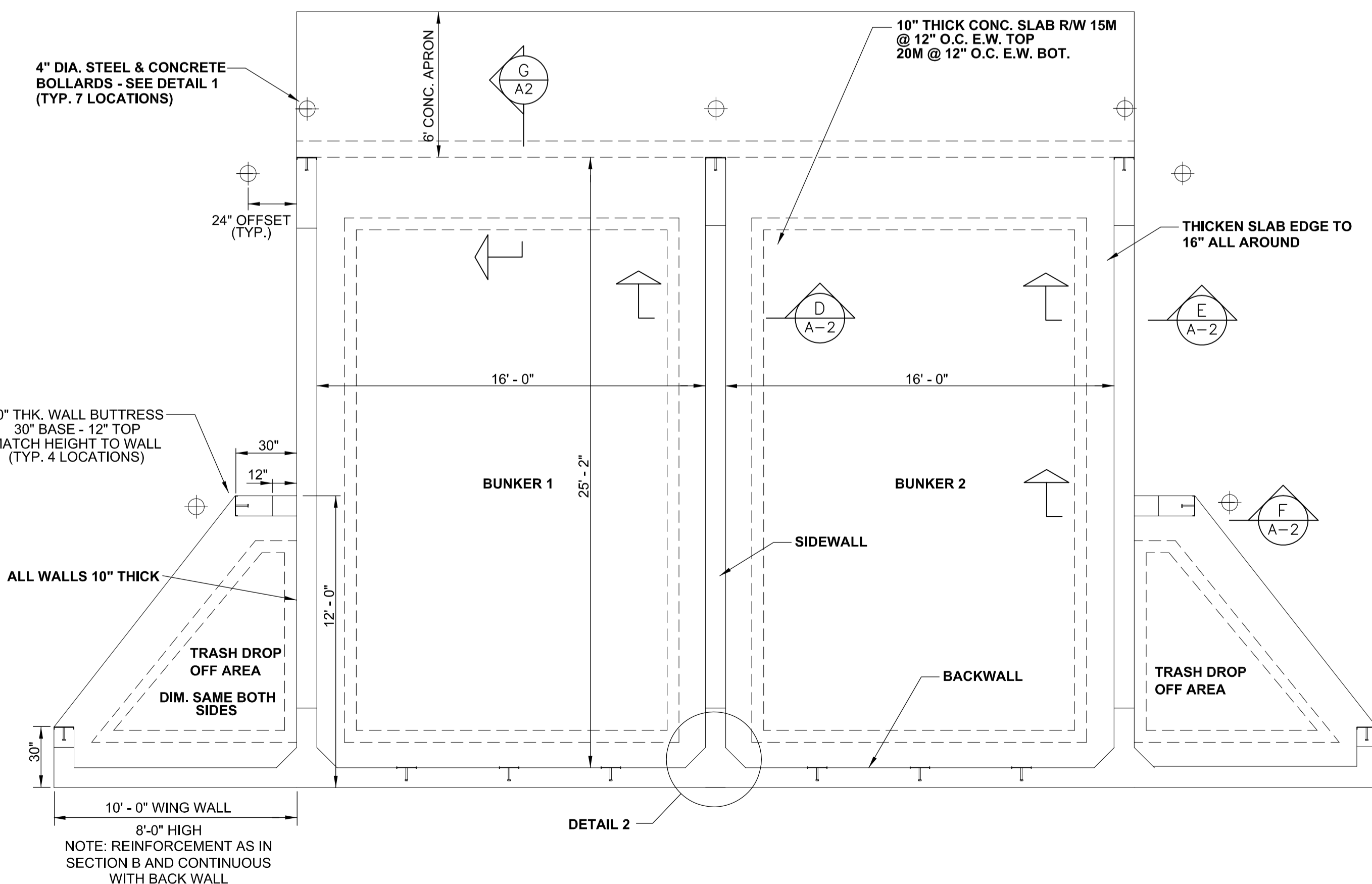
SECTION A
SCALE: 1/4"=1'-0"



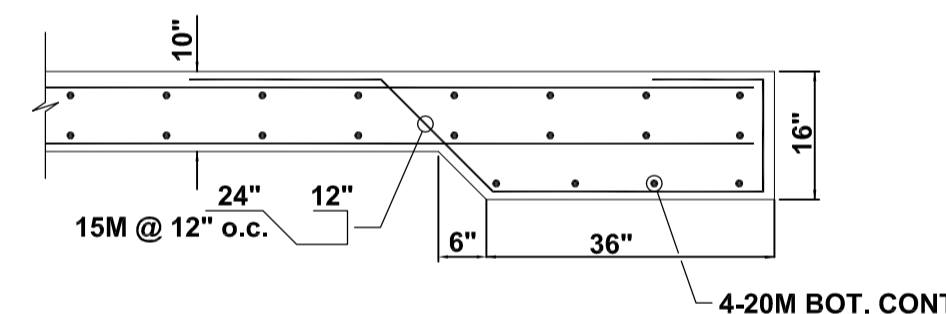
SECTION F (TYP. 4 LOCATIONS)
SCALE: 1/2"=1'-0"



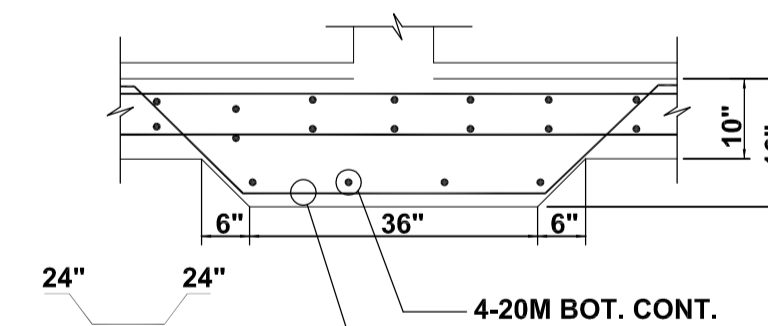
SECTION F (PLAN)
SCALE: 1/2"=1'-0"



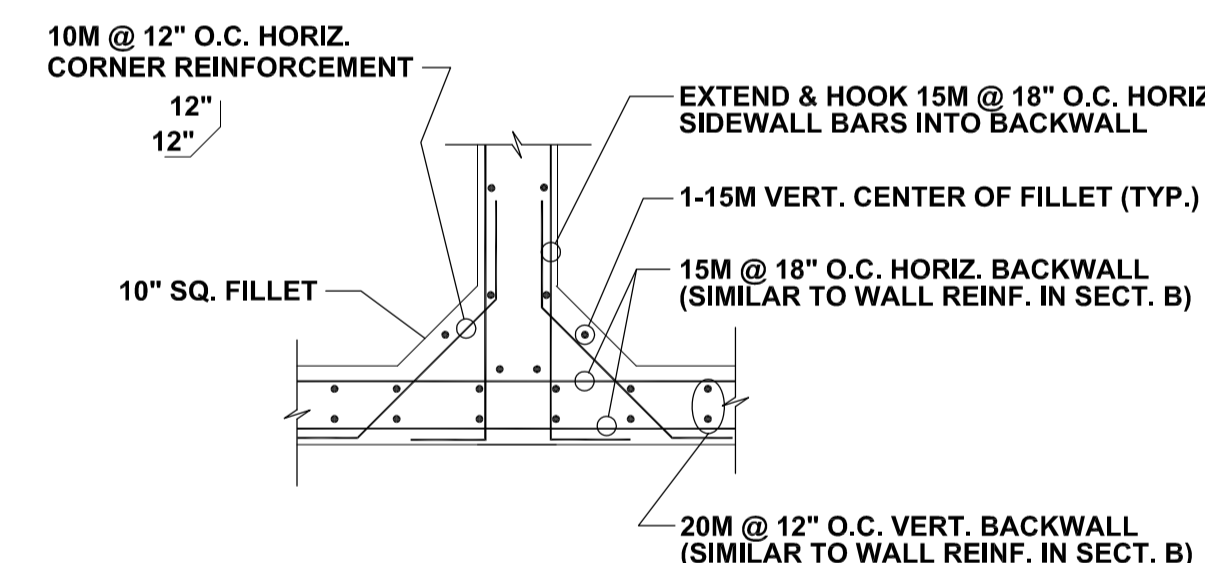
PLAN VIEW
SCALE: 1/4"=1'-0"



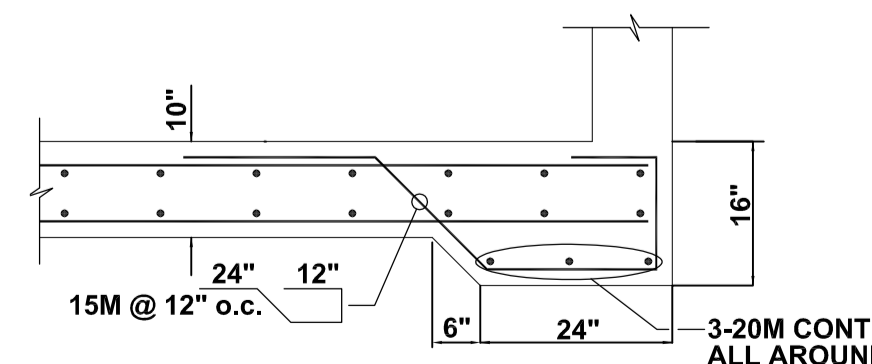
SECTION G
SCALE: 1/2"=1'-0"



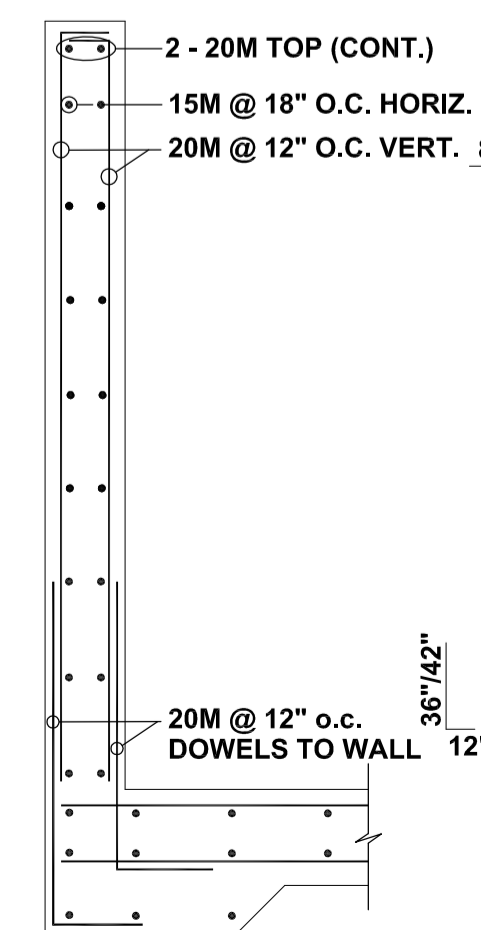
SECTION D
SCALE: 1/2"=1'-0"



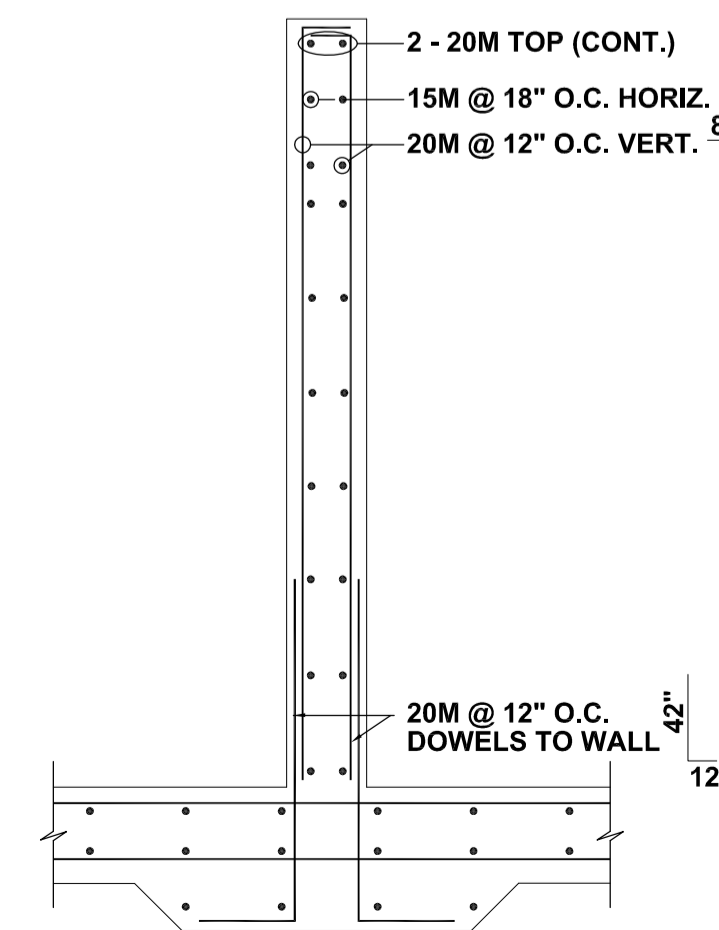
**DETAIL 2
SIDEWALL CONNECTION
TO BACKWALL (TYP.)**
SCALE: 1/2"=1'-0"



SECTION E
SCALE: 1/2"=1'-0"



SECTION B
SCALE: 1/2"=1'-0"



SECTION C
SCALE: 1/2"=1'-0"

NOTES:
GENERAL

1. CITY OF WINNIPEG STANDARDS AND SPECIFICATIONS APPLY TO ANY WORK NOT EXPLICITLY IDENTIFIED IN THE PROJECT DRAWINGS.
2. THESE DRAWINGS SHALL NOT BE SCALED.
3. ALL DIMENSIONS MUST BE FIELD VERIFIED AND CONFIRMED ON-SITE BY THE CONTRACTOR.
4. REPORT DEVIATIONS IN FIELD CONDITIONS OR DESIGN DRAWINGS TO THE CONTRACT ADMINISTRATOR.
5. THE CONTRACTOR IS RESPONSIBLE FOR SURVEYING AND ESTABLISHING ALL WORK ELEVATIONS AND WORK POINTS.
6. THE CONTRACTOR IS RESPONSIBLE FOR IDENTIFYING AND LOCATING ALL UTILITIES AND SERVICES ON-SITE.
7. PROTECT EXISTING SITE STRUCTURES AND UTILITIES DURING THE WORK.
8. PROVIDE SITE CLEAN-UP AT THE END OF THE WORK, TO THE SATISFACTION OF THE CONTRACT ADMINISTRATOR.

GRANULAR BASE COURSE

1. MATERIALS AND PLACEMENT SHALL CONFORM WITH CITY OF WINNIPEG SPECIFICATION CW3110.
2. COMPACT BASE COURSE MATERIALS TO 100% STANDARD PROCTOR DENSITY IN MAX. 6" LIFTS.
3. PROVIDE A MINIMUM OF FOUR (4) COMPACTION TEST RESULTS FOR EACH COMPACTED BASE LAYER THROUGHOUT. SUBMIT RESULTS TO CONTRACT ADMINISTRATOR FOR REVIEW PRIOR TO PLACEMENT OF REINFORCING. COMPACTION TO BE CONDUCTED BY AN INDEPENDENT TESTING FIRM.

CONCRETE

1. CONCRETE FORM WORK SHALL CONFORM TO CANCSA S269.3
2. CONCRETE MATERIALS AND PLACEMENT SHALL CONFORM TO CANCSA A23.1-04.
3. CONCRETE SPECIFICATION: MIN. 25MPa AT 28 DAYS; CLASS OF EXPOSURE F-2; ENTRAINED AIR CONTENT CATEGORY 2; MAXIMUM AGGREGATE SIZE 20mm.
4. USE OF CALCIUM CHLORIDE IS NOT PERMITTED.
5. NO WATER SHALL BE USED TO RE-TEMPER LOADS; USE SUPER PLASTICIZER.
6. VIBRATE ALL CONCRETE SUFFICIENTLY TO ENSURE COMPLETE CONSOLIDATION.
7. CONSTRUCTION JOINT KEYS ARE TO BE A MINIMUM 1 1/2" INCHES DEEP.
8. THE CONTRACTOR SHALL SPECIFY CONCRETE SLUMP APPROPRIATE TO PLACEMENT METHODS AND SITE CONDITION. THE SPECIFIED SLUMP MUST BE SHOWN ON THE CERTIFICATION LETTER AND CONCRETE DELIVERY TICKET.
9. THE CONTRACTOR SHALL PROVIDE FOR EACH TRUCK LOAD OF CONCRETE DELIVERED TO THE SITE AND USED FOR CONSTRUCTION, ONE SET OF STANDARD CONCRETE CYLINDER TEST RESULTS CONDUCTED BY AN INDEPENDENT TESTING FIRM.

REINFORCING, EMBEDDED & MISCELLANEOUS STEEL

1. REINFORCING STEEL SHALL CONFORM TO CANCSA-G30.18 GRADE 400.
2. REINFORCING STEEL COVER SHALL CONFORM TO CANCSA A23.3-04.
3. REINFORCING SHALL BE DETAILED IN ACCORDANCE WITH THE LATEST EDITION OF THE REINFORCING STEEL INSTITUTE OF CANADA "MANUAL OF STANDARD PRACTICE"
4. ALL REINFORCING TO BE HELD IN PLACE AND TIED BY USE OF PROPER ACCESSORIES SUCH AS CH-CHAIRS, SPACERS, ETC. AS SUPPLIED BY THE REINFORCING STEEL FABRICATOR. CH-CHAIRS TO BE STAPLED OR NAIL TO FORM WORK.
5. SUPPLY AND FABRICATION OF STEEL COMPONENTS SHALL MEET THE REQUIREMENTS OF: STRUCTURAL SHAPES - CANCSA G40.20/40.21; BARS - CANC G312.1/G312.2; WELDING CANCSA S16 & CSA W59.
6. SUBMIT SHOP DRAWINGS PRIOR TO FABRICATION.

No.	REVISION/DESCRIPTION	BY	DATE
SEAL			

ORIGINAL STAMPED BY: BRENT PINIUTA P.ENG
DATE: 2012.04.24

DRAWN	MBD	CHECKED	BCP	DESIGNED	BCP	APPROVED
DATE	2012.04.24	USER	APPROVAL			

THE CITY OF WINNIPEG
PLANNING, PROPERTY AND
DEVELOPMENT DEPARTMENT
MUNICIPAL ACCOMMODATIONS DIVISION
3-65 GARRY STREET, R3C 4K4

PROJECT
**CONSTRUCTION OF MATERIALS BUNKER
PUBLIC WORKS SOUTH YARD**

1539 WAVERLEY STREET

SHEET TITLE
PLAN, SECTIONS & NOTES

SCALE	PROJECT No:	SHEET No:
AS SHOWN	2010-058	A2